

# Instructions



060R9750

060R9750

## Pressure Controls

KP1, KP1W, KP1A, KP2, KP5, KP5A, KP6W, KP6B, KP6S, KP6AW, KP6AB, KP6AS, KP7W, KP7B, KP7S

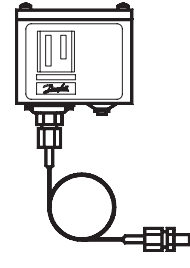
KP 1, 2, 5, 7: HFC, HCFC, CFC  
 KP 6: HFC, HCFC, CFC, CO<sub>2</sub>  
 KP 1A, 5A, 6A: R 717 (NH<sub>2</sub>)



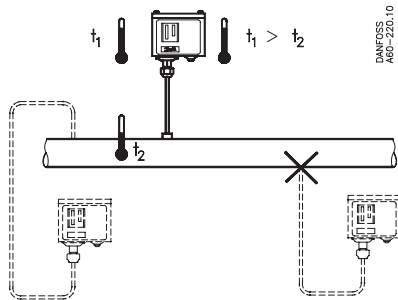
KP 1, 2, 5, 6, 7



KP 1, 2, 5, 6, 7

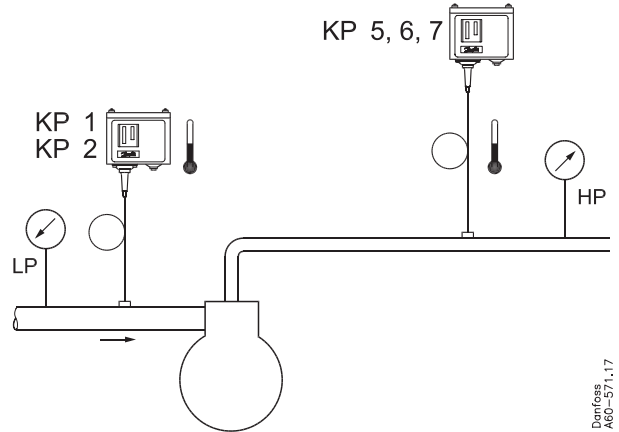


KP 1A, 5A

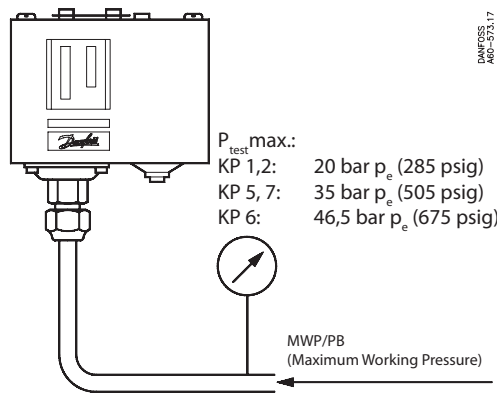
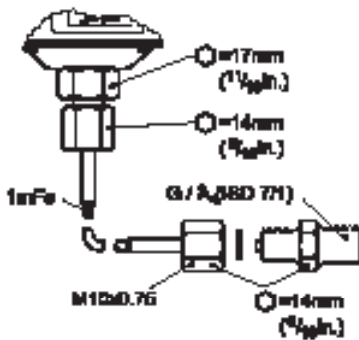
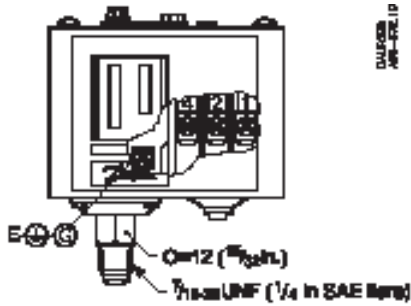


Relative humidity RH: 30 to 98%  
 vibrations resistance: 4g (10-1000 Hz)

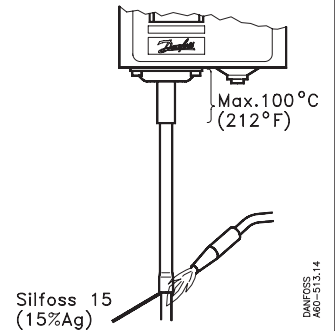
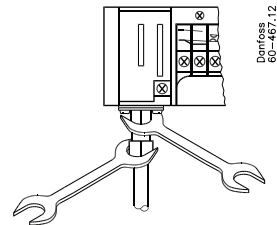
t1 min. KP 1,2,5: -40C (-40F)  
 t1 min. KP 6,7: -25C (-13F)  
 t1 max.: 65C (150F)



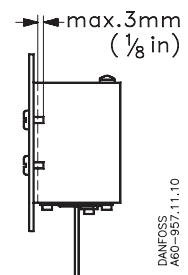
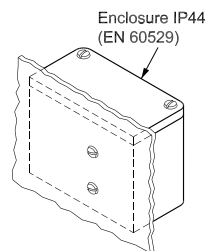
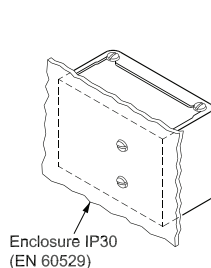
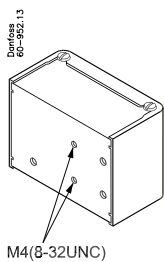
Danfoss AGO-571.17



Type	Range	MWP/PB
KP 1	-0.2 → 7.5 bar	250 psi / 17 bar
KP 1, reset	-0.9 → 7 bar	250 psi / 17 bar
KP 1W	0.5 → 3 bar	250 psi / 17 bar
KP 2	-0.2 → 5 bar	250 psi / 17 bar
KP 5	8 → 32 bar	505 psi / 35 bar
KP 6	8 → 42 bar	675 psi / 46.5 bar
KP 7	8 → 32 bar	505 psi / 35 bar

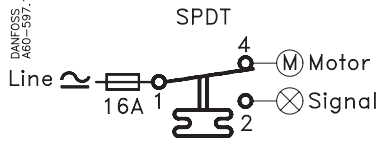


DANFOSS AGO-513.14

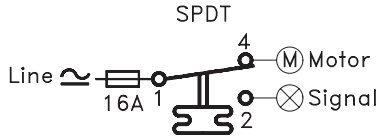


DANFOSS AGO-997.11.10

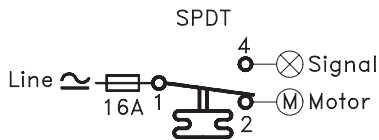
DANFOSS  
A60-597.16



Contact 1-4 opens on pressure drop

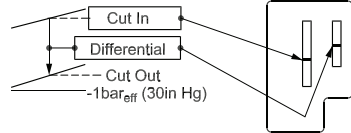


Contact 1-4 opens on pressure drop



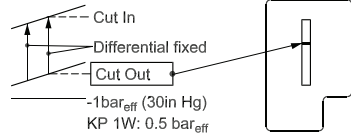
Contact 1-2 opens on pressure rise

KP1,2

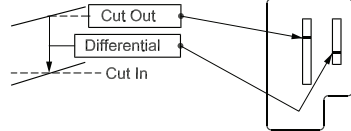


Danfoss  
60-576.19

KP1W, KP1 manual reset



KP5, 5A,6,6A,7



Electrical rating - General

LR 112A	AC 1: 16A AC 3: 16A AC 15: 10A	400 V ≈	DC 13 12 W 220 V≈
---------	--------------------------------------	---------	-------------------------

Short circuit protection: Fuse 16 Amp.

When used acc. to UL regulations

**UL** Listed refrigeration controller 61B5

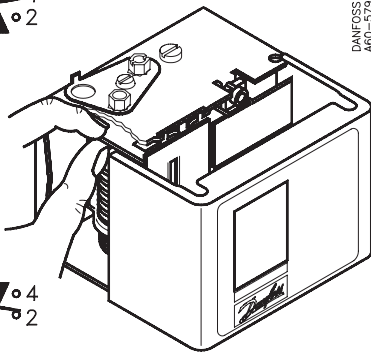
Voltage	FL		Resist. load	Pilot duty
	AC	DC		
240	8	48	8A	3 A
120	16	96	16A	
	240			12W

Use copper wire only  
Tightening torque 20lb.in.

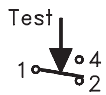
Automatic reset



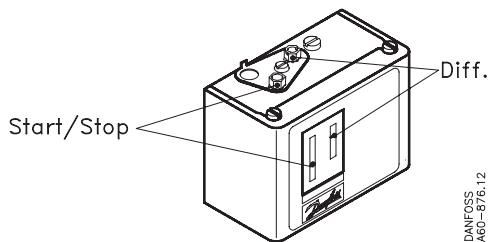
Test ↑



DANFOSS  
A60-579.14



Test ↓

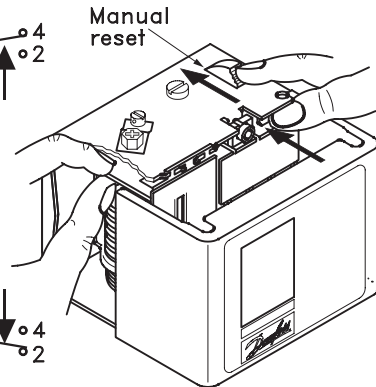


DANFOSS  
A60-676.12

Manual reset



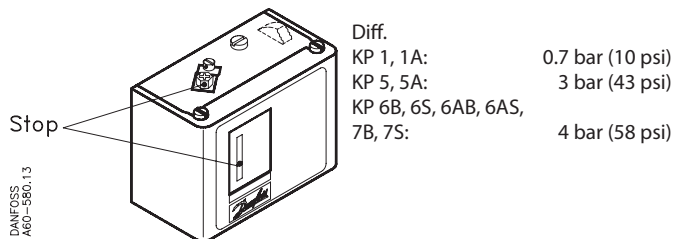
Test ↑



DANFOSS  
A60-578.16



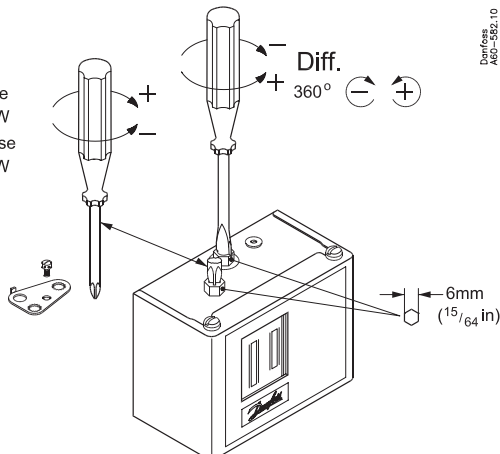
Test ↓



DANFOSS  
A60-580.13

Range

- ⊕ Increase 360° CW
- ⊖ Decrease 360° CW



Danfoss  
A60-582.10